

1. Apply Environmental Condition :

No.	Item	Specification
1-1	Storage Temperature Range	-20°C ~ 60°C
1-2	Operating Temperature Range	-10°C ~ 50°C
1-3	Operating Voltage Range	4.0V ~ 6.0V

2. Standard Test Environment :

2-1	Standard Test Environment	Every characteristic of the inspect must be normal temperature and humidity carry out the test , temperature $25\pm 5^{\circ}\text{C}$ and relative humidity $65\pm 10\%$ of judgment made in accordance with this specification standard testing conditions.
-----	---------------------------	---

3. Appearance Inspection :

No.	Item	Specification
3-1	Outline Drawing	Dimension see the last page
3-2	Appearance	No damage which affects functions allowed

4. Electrical Specification (Function of the Performance) :

No.	Item	4.8V		6.0V	
4-1	Operating speed (at no load)	0.21	sec/60°	0.16	sec/60°
4-2	Running current (at no load)	240	mA	300	mA
4-3	Stall torque (at locked)	3.9	kg-cm	4.6	kg-cm
4-4	Stall current (at locked)	1200	mA	1400	mA
4-5	Idle current (at stopped)	5	mA	5	mA

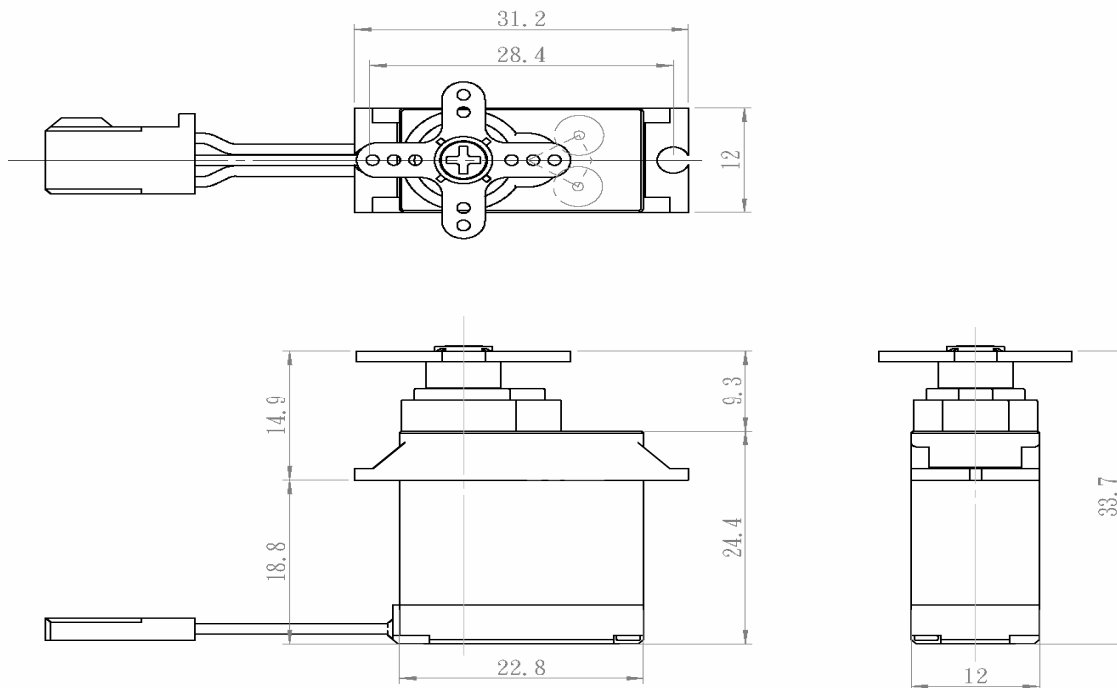
Note: Item 4-2 definition is average value when the servo running with no load

5. Mechanical Specification :

No.	Item	Specification
5-1	Overall Dimensions	See the drawing
5-2	Limit angle	220°±10°
5-3	Weight	15.8 ± 0.2 grams (without servo horn)
5-4	Connector wire gauge	# 26 AWG
5-5	Connector wire length	250 ±5 mm
5-6	Horn gear spline	21T/ ϕ 4.97
5-7	Horn type	Cross , Big cross , Disk , Flat
5-8	Reduction ratio	1/468

6. Control Specification :

No.	Item	Specification
6-1	Control system	Pulse width modification
6-2	Amplifier type	Digital controller
6-3	Operating travel	45° (when 1500→2000 μ sec)
6-4	Neutral position	1500 μ sec
6-5	Dead band width	5 μ sec
6-6	Rotating direction	Clockwise (when 1500→2000 μ sec)
6-7	Pulse width range	750→2250 μ sec
6-8	Maximum travel	Approx 145°(when 750→2250 μ sec)



UNIT : MILLIMETERS



Product Name
DIGITAL SERVO

Model No.
HD-2213MG

Version
V1

Page
3/3